

FULL BORE 3 PIECES BALL VALVE STAINLESS STEEL BODY THREAD NPT

APPLICATION

Area of use: Chemical industries, petrochemical industries, hydraulic installation, heating and water distribution



Fluids: water, oil, compatible liquid products.

GENERAL CHARACTERISTICS

- From DN 1/4" to DN 4".
- Packing gland insuring the tightness of the stem.
- Two part PTFE gasket
- Double sealing PTFE/Viton on the stem.
- Fire safe according to API 607.
- Full bore, anti blow-out stem.
- Handle with locking device.
- BW (Butt welding) connection.

CONSTRUCTION

Pos.	Description	Material	Pos.	Description	Material
1	Body	Stainless steel CF8M	11	Stem gasket	PTFE
2	End	Stainless steel CF8M	12	Packing	Stainless steel AISI 304
3	Ball	Inox AISI 316	13	Belleville washer	Stainless steel AISI 301
4	Seat	PTFE	14	Stopper nut	Stainless steel AISI 304
5	Body seal 1	PTFE	15	Plate washer	Stainless steel AISI 304
6	Body seal 2	PTFE	16	Nut	Stainless steel AISI 304
7	Bearing	PTFE	17	Handle	Stainless steel AISI 304
8	Stem	Stainless steel AISI 316	18	Bolt	Stainless steel AISI 304
9	O-ring	Viton	19	Cover	Plastic
10	O-ring	PTFE	20	Stop pin	Stainless steel AISI 304

DIMENSIONS

DN		d	D	J	L	H	h	K	W	C	S	ISO5211	Torque* (Nm)	Weight (kg)
inch	mm													
1/4"	8	11	18.1	1.10	70	70	42	8	117	9	42.6	F03/F04	5	0.51
3/8"	10	12.5	18.1	1.10	70	70	42	8	117	9	42.6	F03/F04	5	0.54
1/2"	15	15	21.7	1.75	75	70	42	8	117	9	42.6	F03/F04	5	0.55
3/4"	20	20	27.2	2.00	90	78	50	10	134	11	50.4	F04/F05	8	0.96
1"	25	25	34	2.50	100	87	58	10	134	11	50.4	F04/F05	10	1.41
1 1/4"	32	32	42.7	2.75	110	98	64	12.5	203	14	64.5	F05/F07	14	2.19
1 1/2"	40	40	48.6	3.00	125	104	69.5	12.5	203	14	64.5	F05/F07	18	3.26
2"	50	50	60.5	3.25	150	112	78	12.5	203	14	64.5	F05/F07	25	4.13
2 1/2"	65	65	76	3.50	190	140	100	15	255	17	93.6	F07/F10	48	8.58
3"	80	80	93	4.00	220	153	112.5	18	255	17	93.6	F07/F10	75	13.30
4"	100	100	116	5.50	270	166	125.5	18.5	302	17	93.6	F07/F10	110	22.30

* - Torque value without safety factor.

WORKING CONDITIONS

Maximum working pressure : 140 bar

Maximum vacuum pressure : -0.7 bar

Maximum working temperature: -25°C / +180°C.

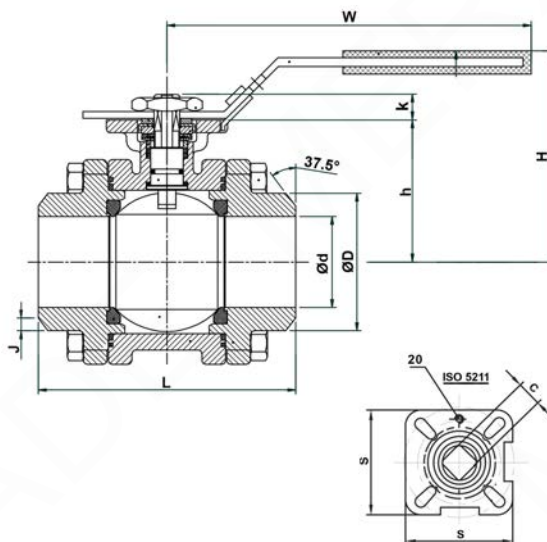
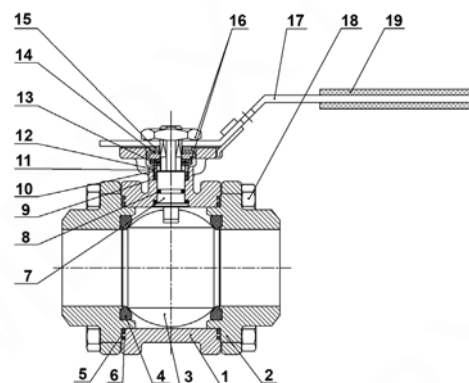
PRODUCT APPROVALS



II 2 GD c T2



FIRE SAFE



PRESSURE-TEMPERATURE RATING

